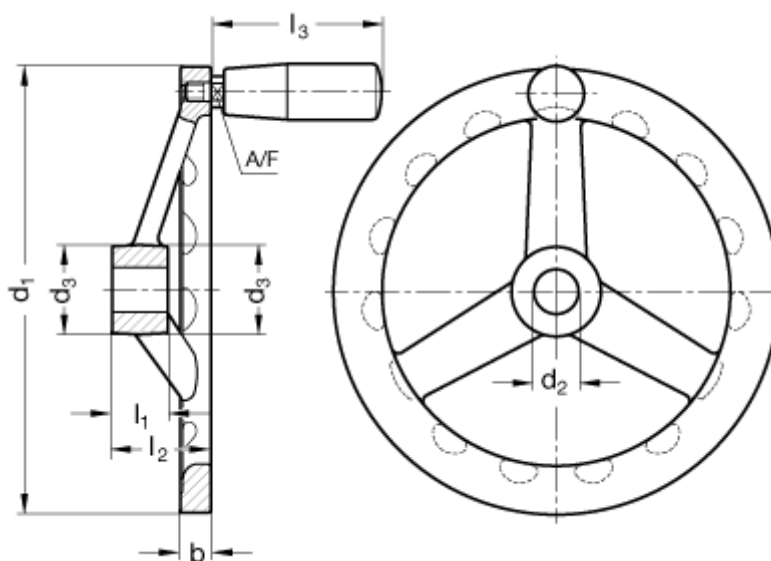


Article number: 201057299  
Description: E+G Handwheel  
GN 949-125-B12-D

## Measures



|                 |        |                  |      |
|-----------------|--------|------------------|------|
| A/F             | = 9    | l3               | = 55 |
| b               | = 9    | Number of spokes | = 3  |
| d1              | = 125  |                  |      |
| d2              | = 12   |                  |      |
| d3              | = 24   |                  |      |
| Handle diameter | = 21   |                  |      |
| l1              | = 16   |                  |      |
| l2              | = 28,5 |                  |      |